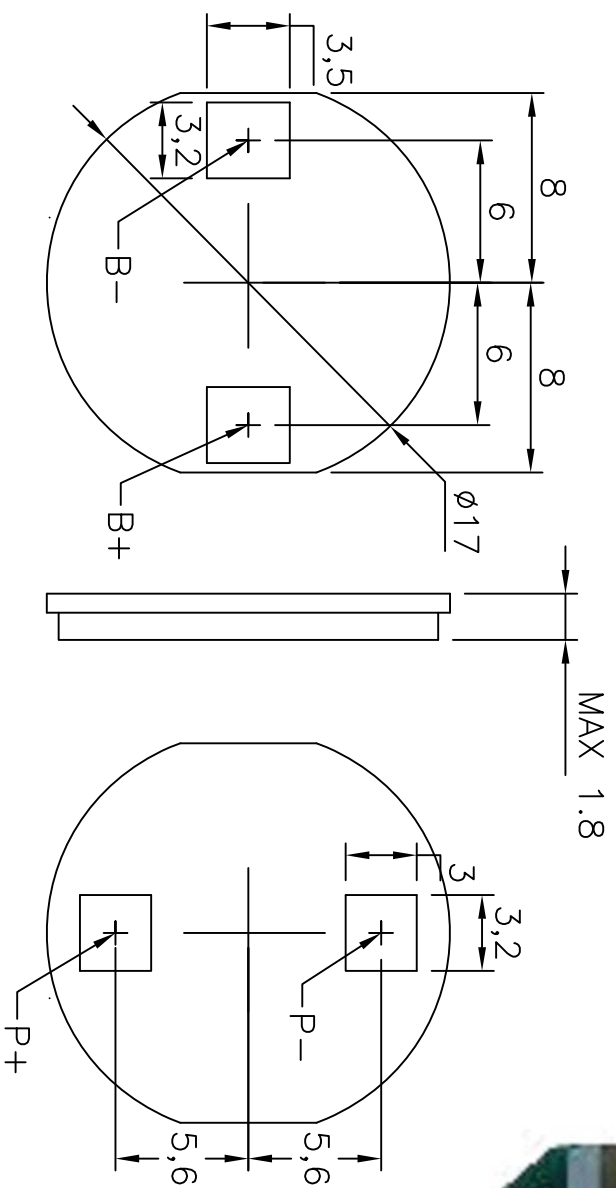
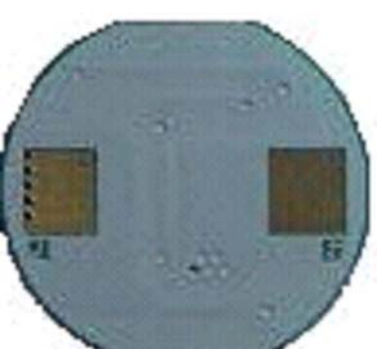


5.1 Module Dimension Drawing




[TERMINAL SIDE]



1CELL

BASIC SPEC	OVP(V)	UVP(V)	OCP(A)
	4.275	2.6	5.4
SPEC. subject to change			

- Note -----
- 1.PCB : FR-4, 0.8t.
 - 2.General Tolerance : ±0.1

Desined	Checked	Approval	Date
SHPARK			
 IB ICE Brain			CUSTOMER TITLE MODEL IB-BS1001A
Dwg. No.			Page 1/1