

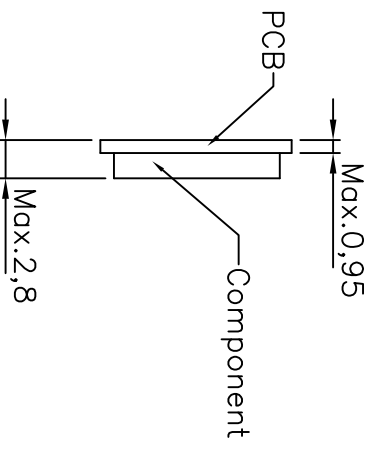
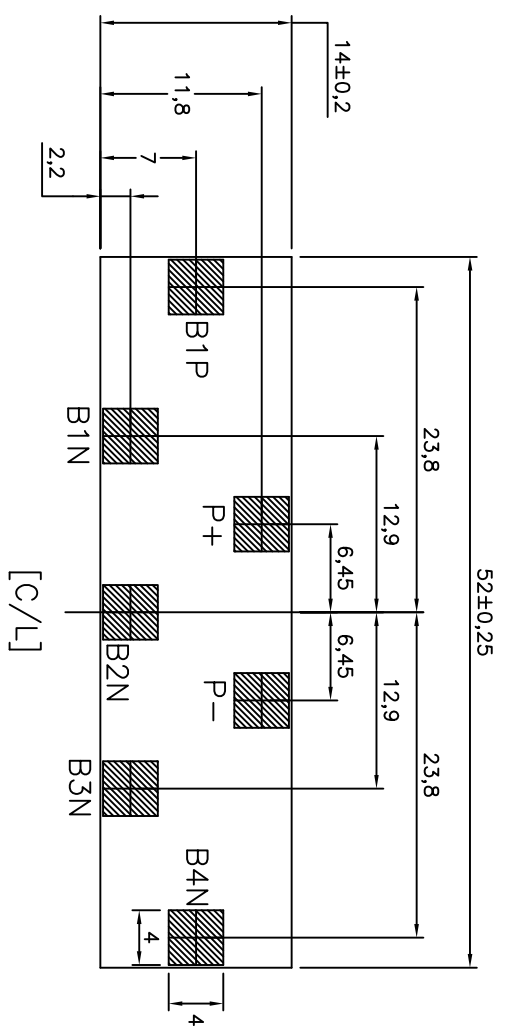
2. PCB Dimension



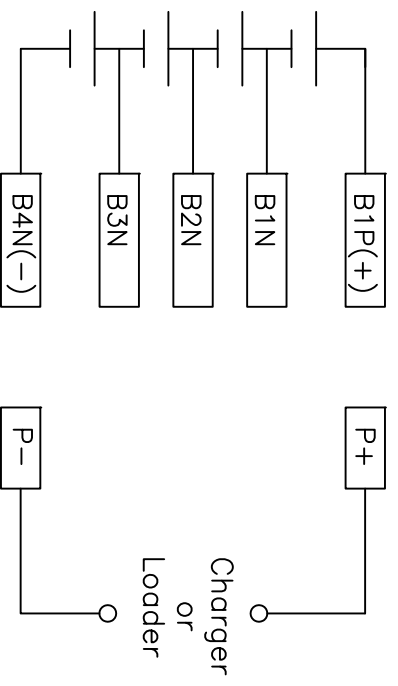
BASIC SPEC	OVP(V)	UVP(V)	OCP(A)
	4.35	2.4	5~10

SPEC. subject to change

4CELL



- Note ---
 1.PCB : FR-4, 0.8t
 2. General Tolerance : 0.1mm



Desined	Checked	Approval	Date	2006.06.20
---------	---------	----------	------	------------

SDKWON			CUSTOMER	
			TITLE	PCB Dimension

	MODEL	IB4P001B
	Dwg. No.	